

Winston International, Ltd.
200 Hillsboro Street
Oxford, NC 27565

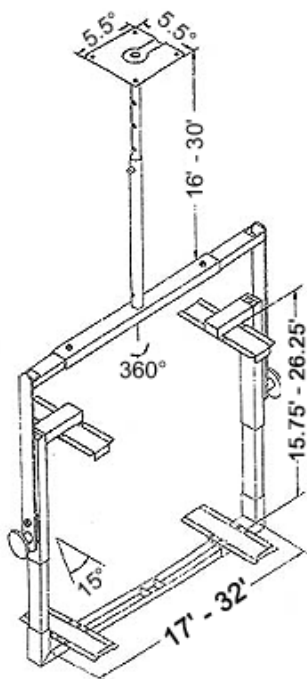
www.winstonele.com

Toll Free: 800-726-1411
Office: 919-693-1561
Fax: 919-693-5257

WVM-024 (VMP-024)

PRODUCT SPECIFICATIONS *FOR ARCHITECTS & ENGINEERS*

The ceiling mount for the TV/monitor shall be a Video Mount Products (VMP) model VMP024. The monitor mount shall be constructed primarily of tubular steel and shall incorporate nylon filled nuts, and arc welds. The monitor mount shall be designed to allow adjustable tilt up to a maximum of 15° and must swivel 360°. The monitor mount shall have adjustable dimensions capable of holding a TV/monitor with screen sizes from 19" to 29". The mount shall adjust 17" to 32" (left to right) and open 15.75" to 26.25" (top to bottom). The mount must include a telescoping ceiling mast that adjusts from 18" to 30". The monitor mount shall have an integrated clamping mechanism that will secure the monitor on all sides. The load capacity shall be 165 lbs. The monitor mount shall be UL listed in the United States and Canada.



PRODUCT FEATURES *LARGE CEILING MOUNT*

rotates 360° and has adjustable 0-15° tilt
mast extends 18"-30" from ceiling
opens from 17"-32" (left to right)
opens from 15.75"-26.25" (top to bottom)
holds most tv's/monitors 20"-29"
load capacity 165 lbs.
black finish