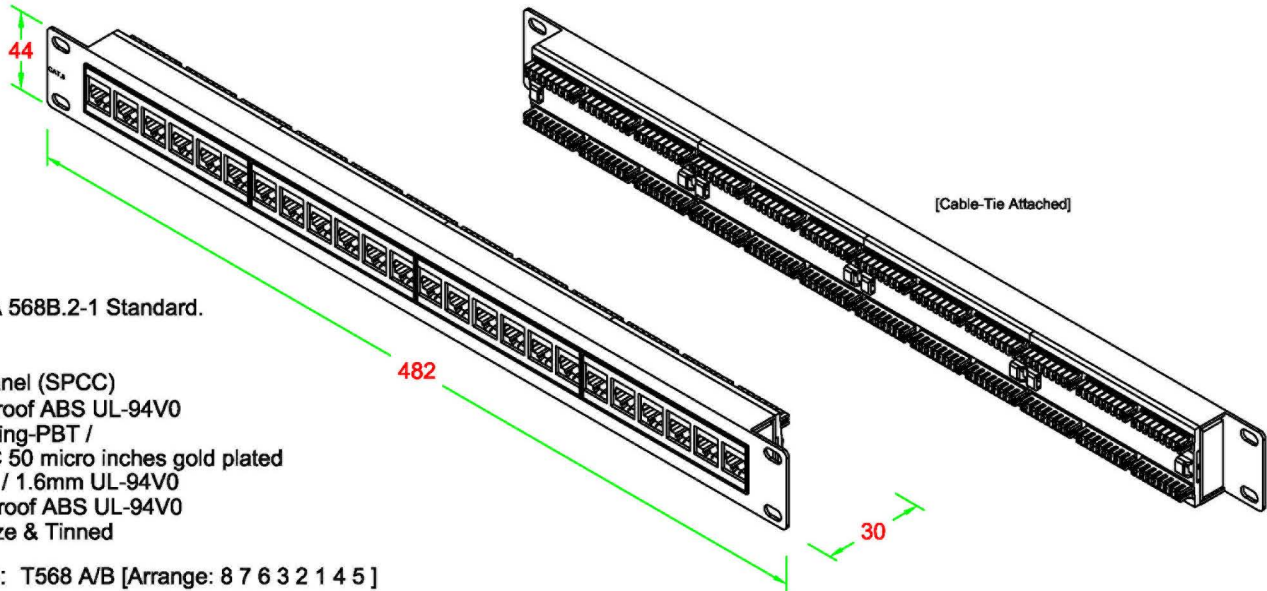


Cat.6 24Port Patch Panel (UTP) / Krone Type



Performance:

Meets Cat.6 EIA/TIA 568B.2-1 Standard.

Materials:

Panel : Metallic Panel (SPCC)
 Plastic Body : Fireproof ABS UL-94V0
 RJ-45 Jack : Housing-PBT /
 8P8C 50 micro inches gold plated
 PCB : FR-4 / 1.6mm UL-94V0
 IDC Body : Fireproof ABS UL-94V0
 IDC Pin : Bronze & Tinned

Label Color Code: T568 A/B [Arrange: 8 7 6 3 2 1 4 5]

IDC Description: For 22-26 AWG.
 For 110 or Krone punch-down Tool

Electrical Specifications:

Insulation Resistance : 500M ohms (min.)
 Contact Resistance : 20m ohms (max.)
 Current Rating : 1.5 Amps .
 DC Resistance : 0.1 ohm (max.)
 Withstanding Voltage : 1000 VAC RMS @ 60Hz / 1 min.

Mechanical Specifications:

IDC Punch Down Cycle : Over 250 Cycles (min.)
 RJ-45 Jack Insertion Cycle : Over:2000 Cycles (min.)

Operation Temperature : -40 ~ +70 degree / C

Color coding information

T568B:	T568A:
1—WH/OR	1—WH/GN
2—OR	2—GN
3—WH/GN	3—WH/OR
4—BL	4—BL
5—WH/BL	5—WH/BL
6—GN	6—OR
7—WH/BR	7—WH/BR
8—BR	8—BR

DRAW NO:		ITEM NO:	90-24PPC6
	APPR	CUSTOMER:	
UNIT:	m/m	DATE:	
SCALE:	DESIGN	TOLERANCE:	· ± 1 · X ± 0.1 · XX ± 0.15

WELTRON