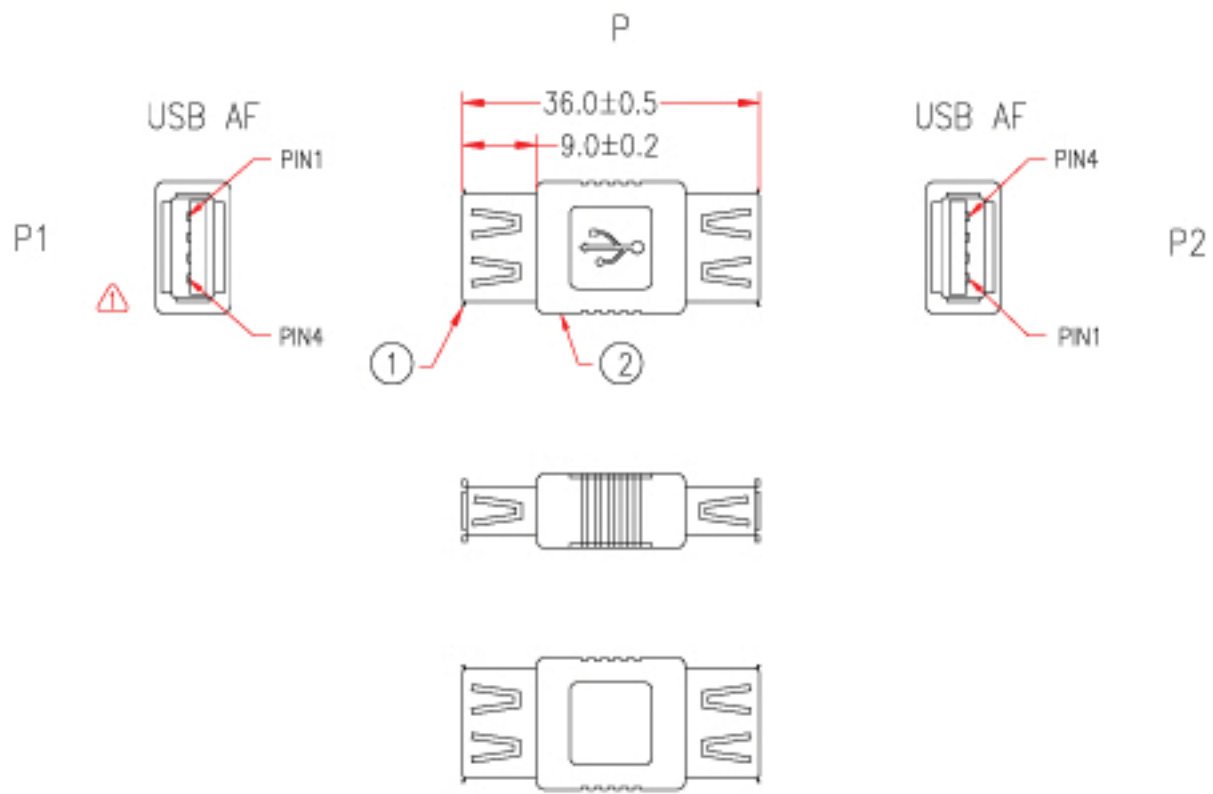


P: M-Y473A
M-473A



NOTE: All relevant materials are complied with RoHS directive .

4339-1	
P1	P2
1 _____ 1	
2 _____ 2	
3 _____ 3	
4 _____ 4	
SHIELD _____ SHIELD	

2	NON-UL 28AWG INSULATOR SOFT PVC, LENGTH 13mm(4pcs) & 20mm(1pcs), DRAWING No. EH002801C-016	5	M304
	COPPER FOIL 12*60mm	1	M309
	MOLDED PE COLOR TRANSPARENT		M280
	MOLDED PVC GREY		M304
1	USB A FEMALE 2.0, GOLD PLATING 30u" ON CONTACTS, WHITE INSULATION	2	M108
No.	DESCRIPTION	QTY	Supplier

APPROVED		<h1>Weltron</h1>	Cable Length Unless Other Spec. Tolerances: 0 ~200mm ±10mm 201~1000mm ±20mm 1001 ~1500mm ±25mm 1501~2100mm ±30mm 2100mm↑ ±40mm
CHECKED	HU		
DRAWING	CHEN		

RE.2 2009.05.11	ADD NOTE	CHECKED	
RE.1 2005.02.25	MODIFY PLUG BEARING	CHECKED	

DATE	11/MAY/09	ITEM NO.	90-111USBAA	UNIT:mm	
------	-----------	----------	-------------	---------	--