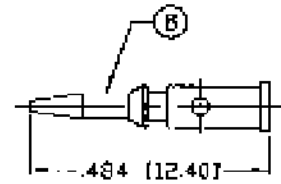
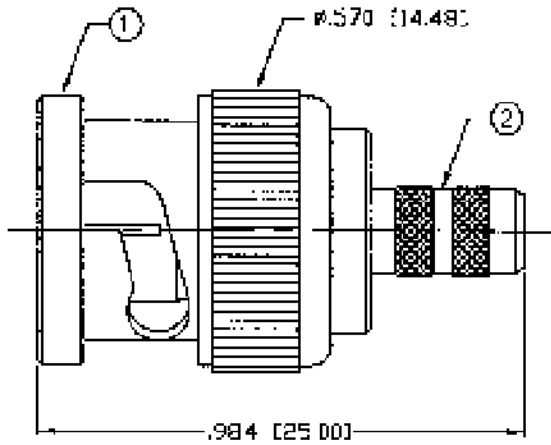


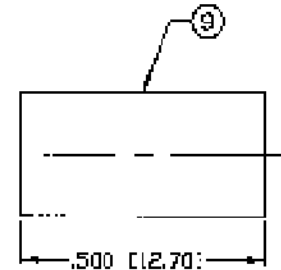
THIS DRAWING CONTAINS INFORMATION PROPRIETARY TO RF INDUSTRIES.
 ANY UNAUTHORIZED USE OF THIS DRAWING IS EXPRESSLY PROHIBITED
 WITHOUT WRITTEN PERMISSION FROM RF INDUSTRIES.
 ANY VIOLATION IS PUNISHABLE UNDER U.S. COPYRIGHT LAWS.

ALL DIMENSIONS ARE REFERENCE ONLY

PART NO.		44-332TNT		
REV	DESCRIPTION	OWN	DATE	APPROVED
A	ENGINEERING RELEASE	GZS	8/12/99	R. RICE
B	CHANGE FERRULE STD., SPECS & DWG. # 9224	GSD	2/21/02	JDMc



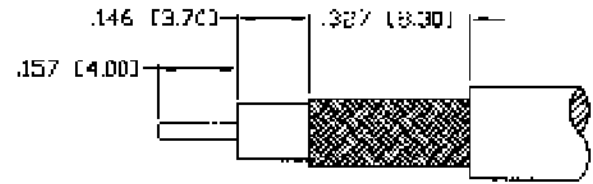
RECOMMENDED CRIMP DIE: 068



RECOMMENDED CRIMP DIE: 213

SPECIFICATIONS:

IMPEDANCE: 50 Ohms
 FREQUENCY RANGE: 0-4 GHz
 VSWR: 1.3 Max.
 WORKING VOLTAGE: 500 V rms @ 500 level
 TEMPERATURE RANGE: -65°C TO 85°C
 INSULATION RESISTANCE: 5k M Ohms min.
 FOR RG-58, 58A, 58C, 141, 141A, BELDEN 8240,
 8262, 9201, 9203, 9310, 9511 & COMM/SCOPE D268



RECOMMENDED STRIPPING DIMENSIONS

1 SHELL	1	BRASS	SILVER, 80µ
2 BODY	1	BRASS	SILVER, 80µ
3 INSULATOR	1	PTFE	---
4 GASKET	1	RUBBER	---
5 RETAINING RING	1	BRASS	NICKEL, 100µ
6 SPRING	1	SK5	NICKEL, 200µ
7 WASHER	1	BRASS	SILVER, 80µ
8 PIN	1	BRASS	GOLD, 3µ
9 FERRULE	1	BRASS	SILVER, 80µ
10			
11			
12			
13			
14			

008974	
DRAWN G. CALLES	2/21/02
CHECKED <i>[Signature]</i>	2/21/02
APP'D C. ZENIGA	8/12/99

UNLESS OTHERWISE SPECIFIED:
 1. REMOVE ALL BURRS
 2. BREAK ALL CORNERS & EDGES .005 R. MAX.
 3. CHAMFER 1ST & LAST THREADS 45°
 4. SURFACE ROUGHNESS 60 FINISH MIL-STD-10
 5. DIAMETERS ON COMMON CENTERS TO BE CONCENTRIC WITHIN .002 T.I.R.
 6. ALL DIMENSIONS ARE AFTER PLATING.

DIMENSIONS ARE IN INCHES AND [MILLIMETERS]
 UNLESS OTHERWISE NOTED TOLERANCES ARE:
 DECIMALS DIAMETER
 .XXX±.003 [.08] .XXX±.001 [.03]
 .XXX±.005 [.13] .XXX±.003 [.08]

RF connectors
 DIVISION OF RF INDUSTRIES, LTD.

BNC PLUG, CRIMP

SIZE A	CABLE GROUP C	Part. No.	REV B
SCALE: NTS		CAD FILE OUTLINE	SHEET 1 OF 1